

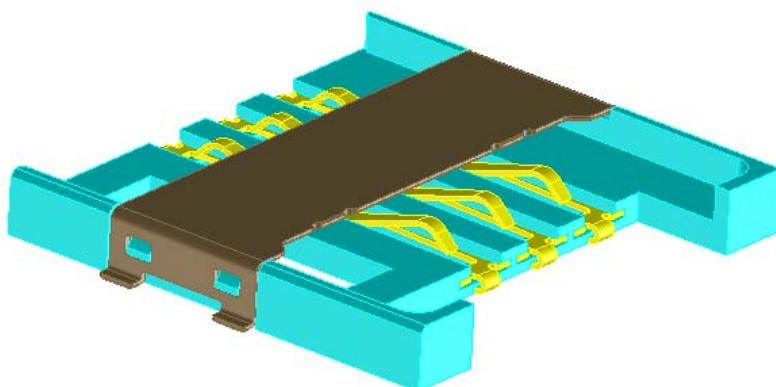


PRODUCT SPECIFICATION

SIM CARD CONNECTOR, 2 MM HEIGHT

INDEX

- 1.0 SCOPE
- 2.0 PRODUCT DESCRIPTION
- 3.0 APPLICABLE DOCUMENTS AND SPECIFICATIONS
- 4.0 RATINGS
- 5.0 ELECTRICAL PERFORMANCE
- 6.0 ENVIRONMENTAL PERFORMANCE
- 7.0 MECHANICAL PERFORMANCE
- 8.0 PACKAGING
- 9.0 TEST GROUPING



REVISION: A	ECR/ECN INFORMATION: EC NO: SH2006-0070 DATE: 2005/08/29	TITLE: SIM CARD CONNECTOR	SHEET NO. 1 OF 6
DOCUMENT NUMBER: PS-47308-001	WRITTEN BY: CYZHU	CHECKED BY:	APPROVED BY:
FILE NAME			



PRODUCT SPECIFICATION

1.0 SCOPE

This specification covers the SIM Card Connector 473080001.

2.0 PRODUCT DESCRIPTION

2.1 PRODUCT NAME AND NUMBER

<u>Product name</u>	<u>Product number</u>
SIM Card Connector, 2mm height	473080001

2.2 DIMENSIONS, MATERIALS, PLATINGS AND MARKINGS

See the appropriate Sales Drawing (SD-47308-001) for information on dimensions, materials, plating and markings.

2.3 This connector assembly consists of a plastic housing, 6 contacts and 1 securing nails. Solder components shall meet Lead-free soldering requirements.

3.0 APPLICABLE DOCUMENTS AND SPECIFICATIONS

Please refer to the Sales Drawings **SD-47308-001**, and other sections of this Specification for specific references to applicable documents and specifications. In cases where the Product Specification differs from the Sales Drawings, the Sales Drawing will take precedence.

4.0 RATINGS

- 4.1 Voltage : $V_{cc}=5v\pm 10\%$, ripple $\leq 100mV_{pp}$
- 4.2 Current : 10mA max
- 4.3 Operating Temperature : $-40^{\circ}C$ to $+85^{\circ}C$
- 4.4 Storage temperature: $-40^{\circ}C$ to $+100^{\circ}C$
- 4.5 Humidity Range : 10% to 80% RH
- 4.6 Durability: 5,000 Cycles

5 ELECTRICAL PERFORMANCE

REVISION: A	ECR/ECN INFORMATION: <u>EC NO:</u> SH2006-0070 <u>DATE:</u> 2005/08/29	TITLE: SIM CARD CONNECTOR			SHEET NO. 2 OF 6
DOCUMENT NUMBER: PS-47308-001		WRITTEN BY: CYZHU	CHECKED BY:	APPROVED BY:	FILE NAME



PRODUCT SPECIFICATION

TEST REF.	ITEM	TEST CONDITION	REQUIREMENT
5.1	Contact resistance	Mate connector with dry circuit of 20mV and a current of 10mA. Per EIA-364-23	100mΩ max.
5.2	Insulation resistance	Measurement shall be performed after 60 second from voltage application 500VDC between the contact Per EIA-364-21	100MΩ min.
5.3	Dielectric withstanding voltage	Apply 530V AC for 1 minute between adjacent terminals or terminal and ground. Per EIA-364-20	No voltage breakdown
5.4	Temperature Rise	Mate card and measure the temperature rise of contact, when rated current is passed. Per EIA-364-70 method 1	30°C Max.

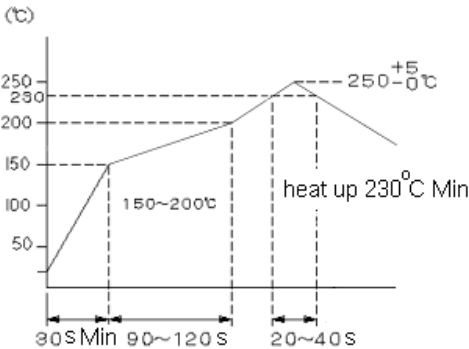
6 ENVIRONMENTAL PERFORMANCE

TEST REF.	ITEM	TEST CONDITION	REQUIREMENTS
6.1	High Relative Humidity Exposure	The card shall be mated and exposed to the condition of +60±2°C @ 90~95% Humidity for 96 hours. Recovery time 1~2 hours Per EIA-364-31	Appearance: no damage Contact Resistance: 100 mΩ maximum
6.2	Low Temperature Exposure	The card shall be mated and exposed to the condition of -40±3°C for 96 hours. Recovery time 1~2 hours	Appearance: no damage Contact resistance: 100 mΩ maximum
6.3	High Temperature Exposure	The card shall be mated and exposed to the condition of +85±2°C for 96 hours, less than 25% relative humidity. Recovery time 1~2 hours	Appearance: no damage Contact resistance: 100 mΩ maximum

REVISION: A	ECR/ECN INFORMATION: EC NO: SH2006-0070 DATE: 2005/08/29	TITLE: SIM CARD CONNECTOR	SHEET NO. 3 OF 6	
DOCUMENT NUMBER: PS-47308-001	WRITTEN BY: CYZHU	CHECKED BY:	APPROVED BY:	FILE NAME



PRODUCT SPECIFICATION

6.4	Thermal Shock	<p>The card shall be mated and exposed to the following condition for 25 cycles. 1 cycle: a) $-40\pm 3^{\circ}\text{C}$ for 30 minutes b) $+85\pm 2^{\circ}\text{C}$ for 30 minutes Transit time shall be within 3 minutes, Recovery time 1~2 hours Per EIA-364-32</p>	<p>Appearance: no damage Contact resistance: 100 mΩ maximum</p>
6.5	Salt Spray Test	<p>The card shall be mated and exposed to the following salt mist conditions. At the completion of the exposure period, salt deposits shall be removed by a gentle wash or dip in running water, after which the specified measurements shall be performed. NaCl solution: Concentration : $5\pm 1\%$ Spray time : 48 hours Temperature : $35\pm 2^{\circ}\text{C}$ Per EIA-364-26 condition A</p>	<p>Appearance: no damage Contact resistance: 100 mΩ maximum</p>
6.6	Solderability	<p>Dip solder tails into the molten solder (held at $250\pm 5^{\circ}\text{C}$) up to 0.5mm from the tip of tails for 3 ± 0.5 seconds.</p>	<p>Contact solder Pad shall have a Min. 95% solder coverage</p>
6.7	Resistance to Soldering reflow Heat	<p>Infrared reflow condition</p>  <p>TEMPERATURE CONDITION GRAPH (TEMPERATURE ON BOARD PATTERN SIDE)</p>	<p>No damage After 2 times of reflow</p>

7 MECHANICAL PERFORMANCE

REVISION: A	ECR/ECN INFORMATION: EC NO: SH2006-0070 DATE: 2005/08/29	TITLE: SIM CARD CONNECTOR			SHEET NO. 4 OF 6
DOCUMENT NUMBER: PS-47308-001	WRITTEN BY: CYZHU	CHECKED BY:	APPROVED BY:	FILE NAME	



PRODUCT SPECIFICATION

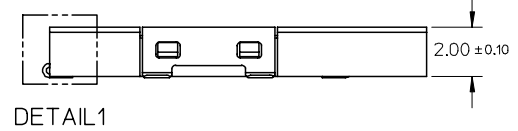
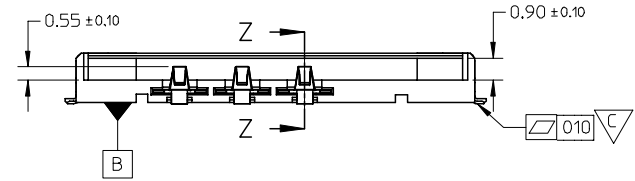
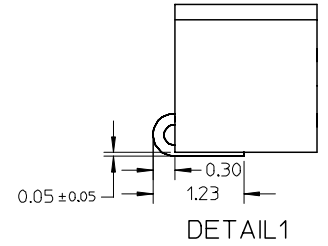
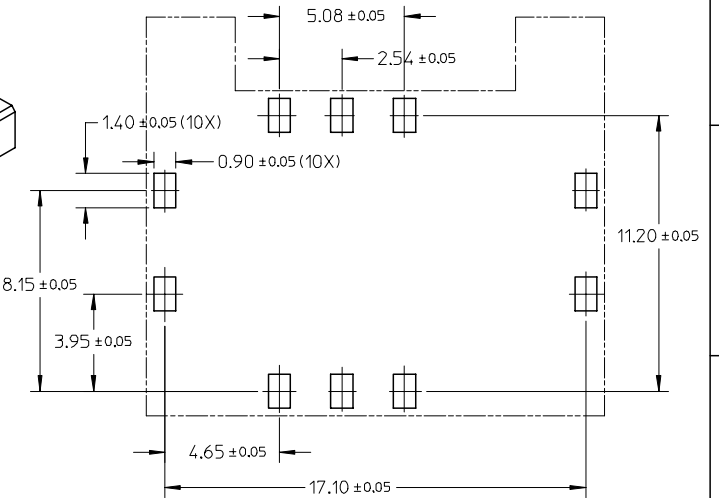
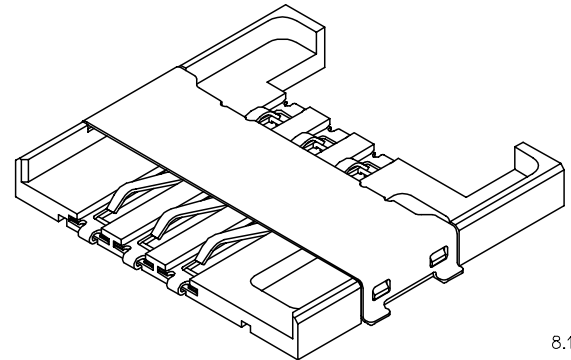
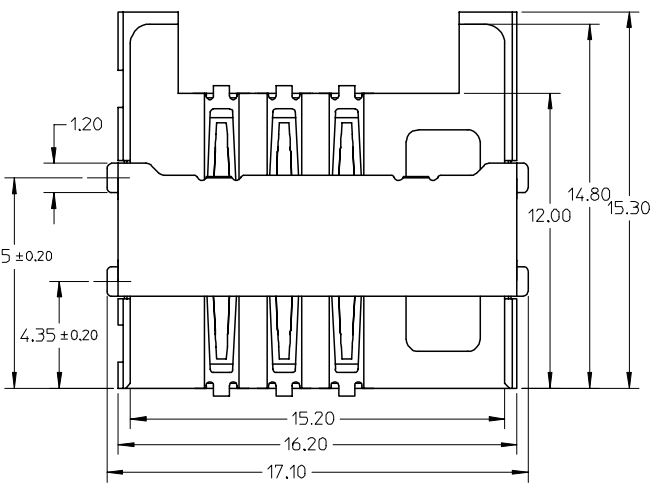
GROUP NUMBER	1	2	3	4	5	6	7
Contact resistance	1,4	4,9	1,6	1,3	4,10		
Insulation resistance			2,7				
Dielectric withstanding voltage			3,8				
Temperature Rise						2	
High Relative Humidity Exposure			5				
Low Temperature Exposure					5		
High Temperature Exposure					6		
Thermal Shock			4				
Salt Spray Test				2			
Solderability						1	
Resistance to Soldering reflow Heat							1
Normal force		3,8			3,9		
Durability		5					
Card insertion force		1,6			1,7		
Card withdraw force		2,7			2,8		
Mechanical Shock	2						
Vibration	3						

REVISION: A	ECR/ECN INFORMATION: EC NO: SH2006-0070 DATE: 2005/08/29	TITLE: SIM CARD CONNECTOR			SHEET NO. 6 OF 6
DOCUMENT NUMBER: PS-47308-001	WRITTEN BY: CYZHU	CHECKED BY:	APPROVED BY:	FILE NAME	

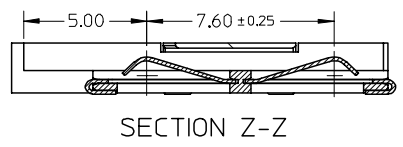
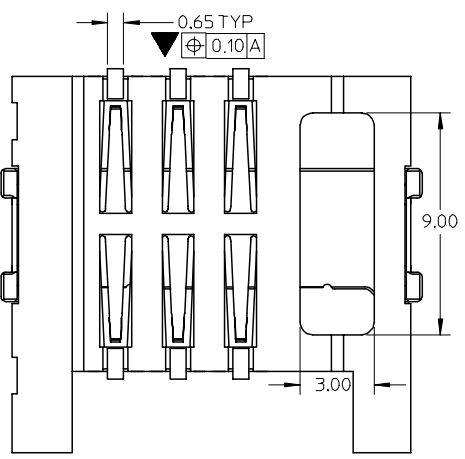
10 9 8 7 6 5 4 3 2 1

F
E
D
C
B
A

F
E
D
C
B
A



NOTE:
 1.MATERIAL:
 HOUSING: LCP, GLASS-FILLED, UL 94V-0, COLOR ,BLACK.
 TERMINAL:PHOSPHOR BRONZE,THICKNESS:0.12MM.
 SHELL: STAINLESS STEEL,THICKNESS:0.2MM.
 2.FINISH:
 2.0 MICRON NI OVER ALL.
 0.5 MICRON MIN GOLD FOR CONTACT AREA.
 0.05 GOLD MICRON MIN FOR SOLDER TAIL.
 3.PRODUCT SPECIFICATION: PS-47308-001.



UPDATE DRAWING	EC NO:	2006/03/14	QUALITY SYMBOLS	GENERAL TOLERANCES (UNLESS SPECIFIED)		DIMENSION STYLE		SCALE	DESIGN UNITS	THIRD ANGLE PROJECTION		
	DRWN:	CYZHU		mm	INCH	MM ONLY		5:1	METRIC	◎ □		
	CHKD:	XIXU		4 PLACES	± ---	± ---	DRAWN BY	DATE	TITLE			
	APPR:	YJWU		3 PLACES	± ---	± ---	CYZHU	2005/11/24	ASSEMBLY SIM CARD CONNECTOR 2.0MM HEIGHT			
REV	B	DESCRIPTION	2 PLACES	± 0.15	± ---	CHECKED BY	DATE	MOLEX INCORPORATED				
			1 PLACE	± ---	± ---	YJWU	2005/11/24	SD-47308-001				
			ANGULAR ±1/2°		APPROVED BY		DATE	DOCUMENT NO.		SHEET NO.		
			DRAFT WHERE APPLICABLE MUST REMAIN WITHIN DIMENSIONS		GCHEN		2005/11/24	473080001		1 OF 1		
					MATERIAL NO.		SD-47308-001		THIS DRAWING CONTAINS INFORMATION THAT IS PROPRIETARY TO MOLEX INCORPORATED AND SHOULD NOT BE USED WITHOUT WRITTEN PERMISSION			
					SIZE		A3					

9 8 7 6 5 4 3 2 1